

Inspection report

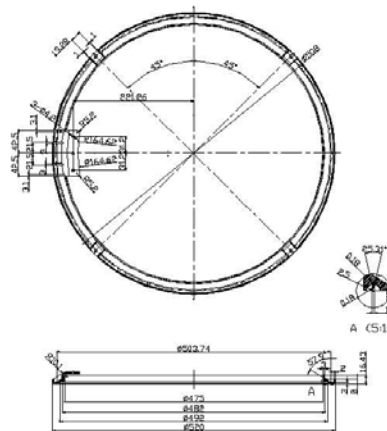
information

Inspection Order	
No. :	
Page No. : 1 of 7	
INSPECTION REPORT	
- Description and Size	quantity
Quantity of Commodity: OMNIA (COMPLETE)	1680 (SET)
- Name & Address Of Buyer: ALEA CONSULTING	
- Name & Address Of factory:	
- Inspection Date 07/01/10	
- P/I No.:	
- Nature Of Inspection:	
Quantity Check Packing Check Marking Check Visual Quality Inspection Dimension Check	
- Inspector: Ing.De Pasquale	

Screw and hole check: (use the bolt M4*15 to check)

M4: we have not found the rest sand inside the filetto, we use the M4*15 bolt to test the screw M4 for more than 10 pcs and have not found the problem that the screws can not fix well.

CONTROTELAIO



2. visual quality check

➤ The material ADC 12

Chemical Composition %

Si	Fe	Cu	Mn	Mg	Zn	Ni	Sn	Al
9.6~12.0	《1.3	1.5~3.5	〈0.5	〈0.3	〈1.0	0.045~0.065	〈0.3	Rest
10.6	0.802	1.68	0.176	0.287	0.802	0.0635	0.05	
11.0	0.737	1.64	0.171	0.281	0.961	0.0519	0.05	

This chemical component is given by the supplier of raw material. We have not verified the component through the lab check. according to the chemical composition, it can be accepted

Surface: we have not found bave on the surface, the surface is finished through sand blasting we have checked the surface during the production. **inside of the calotta, we found inside without oil. The supplier has cleaned the oil during the production,**

Packing:

- The quality of box can be accepted, the material of box is BC

3. Marking Check:

- Shipping mark with detail information was founded on the surface of the box

4. quantity check

- **1680**sets of omnia are put well in the 40 HQ ft container. 420ctns were put in the 40HQ

Attachment:



										
<p>Pic 3</p>	<p>Pic 4 (clean the surface)</p>									
 <table border="1"> <tr> <td>CALOTTA OMNIA</td> <td>4</td> <td>PCS</td> </tr> <tr> <td>TELAIO OMNIA</td> <td>4</td> <td>PCS</td> </tr> <tr> <td>CONTROTELAIO OMNIA</td> <td>4</td> <td>PCS</td> </tr> </table>	CALOTTA OMNIA	4	PCS	TELAIO OMNIA	4	PCS	CONTROTELAIO OMNIA	4	PCS	
CALOTTA OMNIA	4	PCS								
TELAIO OMNIA	4	PCS								
CONTROTELAIO OMNIA	4	PCS								
<p>Test screw</p>	<p>the hole should be improved</p>									

THIS REPORT ONLY REFLECTED OUR ACTUAL FINDINGS. THE INSPECTION WAS DONE TO THE BEST OF OUR KNOWLEDGE AND ABILITY AND WITH DUE CARE. THE FINDINGS ARE VALID AS FOR TIME AND PLACE OF INSPECTION.